



Adtran

END-TO-END FIBER BROADBAND

Unlocking the Future Network

## THE FIBER NETWORK

# Opportunity

Service providers and network operators alike face unprecedented challenges that increasingly impede their ability to generate network investment returns. Over the Top (OTT) services have significantly impacted the revenue stream for most voice and entertainment services.

Operators must take a fresh approach to these challenges. They need to avoid vendor lock-in. Today's cloud-based AI services can only achieve their full potential when the underlying infrastructure is built on genuinely open hardware that leverages open programmatic interfaces.

Additionally, they must exploit every opportunity to increase the programmability of their network.

This can be achieved by reducing operational costs whilst easing their skilled resource constraints by automating more of their service management.

Service agility and network optimization allow operators to focus on delivering genuine subscriber value while establishing sustainable increases in monetization, enabling them to regain investments.

***Adtran is Unlocking  
the Future Network to  
help operators conquer  
challenges of building a  
sustainable business.***

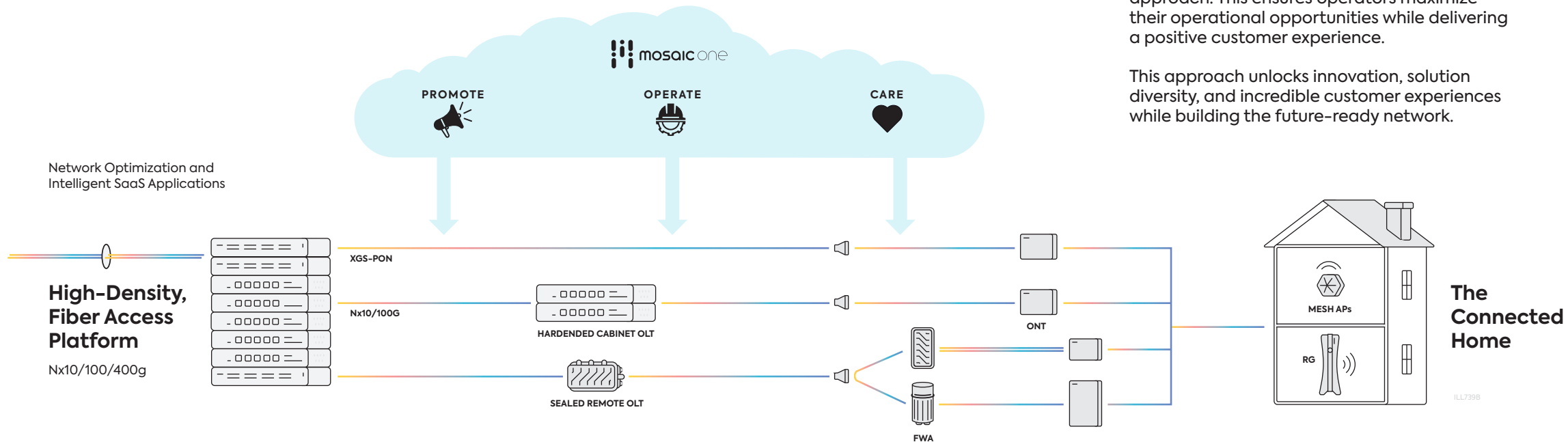


## END-TO-END

# Fiber Broadband

The latest network architectures combine scalable fiber access, multi-gigabit mesh Wi-Fi connectivity, and cloud-based software applications.

Network Optimization and Intelligent SaaS Applications



These networks are being designed with the future in mind and address the explosion in IoT services and an ever-increasing number of connected devices in the home.

Adtran combines state-of-the-art networking architectures like open, disaggregated, scalable systems and AI-driven intelligence into cloud-based applications with a customer-focused approach. This ensures operators maximize their operational opportunities while delivering a positive customer experience.

This approach unlocks innovation, solution diversity, and incredible customer experiences while building the future-ready network.



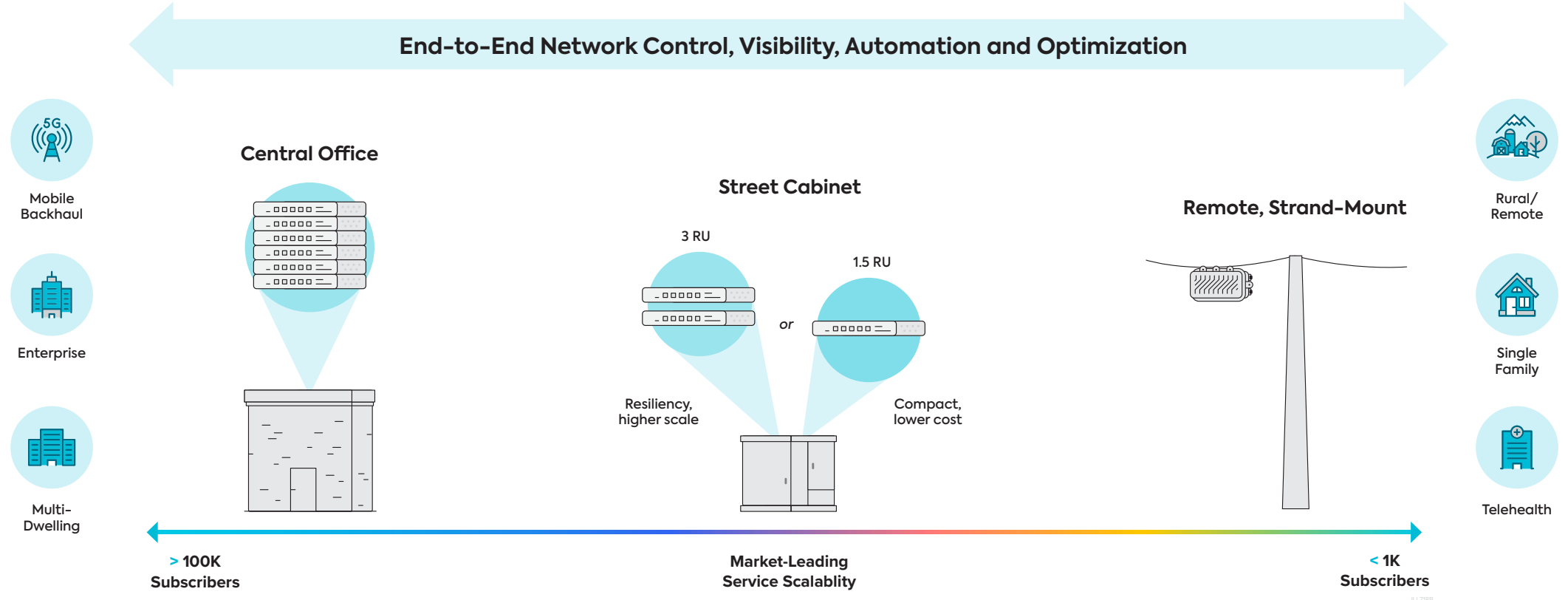
## UNLOCKING THE MULTI-GIGABIT EDGE

# Fiber Access Platforms

User demand and choice are at all-time highs meaning gigabit service providers must become market differentiators in quality and service to ensure customer loyalty. Therefore, quicker ROI through seamless installation, lower build and operational costs, alongside innovative business models, are needed for the operators' network to increase brand value.

Adtran's market-leading, sustainable fiber access platform simplifies multi-gigabit service delivery regardless of density, topology, or application needs.

These open, AI-driven solutions enable the rapid deployment of high capacity, without increasing power consumption, in a simple to operate and maintain fiber infrastructure. In addition, modern AI-driven architectures and advanced fiber access technologies provide the network capacity and service flexibility required to support a full range of community use cases.





## UNLOCKING THE IN-HOME OPPORTUNITY

# Connected Home Solutions

The average home now has over 20\* connected devices, and this number will only continue to grow. As a result, our homes have become not only where we reside but where we work, shop, are entertained, consult on our health, plan our holidays, and so on. With that comes the demand for high-bandwidth connectivity throughout the home 24 hours a day, seven days a week, making a seamless Wi-Fi connection as essential as any other utility. Operators must, therefore, offer the products and services that ensure they are ready for this ever-increasing demand without disrupting their customer's connected-home experience.

The Adtran suite of next-generation, AI-enabled Service Delivery Gateways (SDGs), SaaS applications, and customer experience tools allows operators to extend the gigabit experience across the home resulting in a sustainable solution by reducing truck rolls and minimal equipment replacements resulting in greater customer satisfaction and increased average revenue per user (ARPU).

\*Deloitte's Connectivity & Mobile Trends 2021 Survey



UNLOCKING AI-DRIVEN INSIGHTS

## Intelligent SaaS Applications

Modern networks demand high-speed connections, optimized performance, and value driving solutions. With Mosaic One, providers can aggregate applications to one screen that delivers actionable intelligence.

AI-driven Mosaic One SaaS applications empower marketing, operations, and customer success teams to cut operational expenses and increase profitability while improving customer satisfaction thereby reducing churn.

The combination of Mosaic One with end-to-end programmable networking solutions dramatically decreases operational expenses and increases profitability while improving customer satisfaction and reducing customer churn.



DELIVERING FIBER BROADBAND

## Adtran Global Services

For over 35 years, Adtran has been a trusted partner of service providers of all types and sizes. Our disaggregated, cloud-based solutions enable operators to deliver AI-driven, sustainable, scalable, high-speed, multi-gigabit services to the communities they serve. All covered by comprehensive global support, enabling service providers to invest as they grow and become a partner with Adtran in this once in a generation global technology drive.

# Adtran

## Adtran Corporate Headquarters

901 Explorer Boulevard  
Huntsville, AL 35806  
USA  
adtran.com  
sales@adtran.com

**Adtran Europe Limited**  
Building 2200 Basing View  
Basingstoke RG-21 4EQ, UK  
contact@adtran.com

**Adtran GmbH**  
Jean-Monnet-Straße 4,  
10557 Berlin, Germany  
kontakt@adtran.com

**Adtran Networks Pty, Limited**  
L5 330 Collins Street  
Melbourne, Victoria, 3000  
Australia  
australia@adtran.com

**AD11194C** May Copyright © 2022 Adtran, Inc.  
All rights reserved. ADTRAN believes the information in this publication to be accurate as of publication date, and is not responsible for error. Specifications subject to change without notice. ADTRAN and the other trademarks listed at [www.adtran.com/trademarks](http://www.adtran.com/trademarks) are registered trademarks of ADTRAN, Inc. or its affiliates in various countries. All other trademarks mentioned in this document are the property of their respective owners.

ADTRAN warranty duration and entitlements vary by product and geography. For specific warranty information, visit [www.adtran.com/warranty](http://www.adtran.com/warranty)

ADTRAN products may be subject to U.S. export controls and other trade restrictions. Any export, re-export, or transfer of the products contrary to law is prohibited. For more information regarding exportation of ADTRAN items (e.g. commodities, technology, software), please visit [www.adtran.com/exportlicense](http://www.adtran.com/exportlicense).

ADTRAN  
Certified  
Supplier



ISO 9001  
ISO 14001  
TL 9000

**TL9000**  
TL19.1270